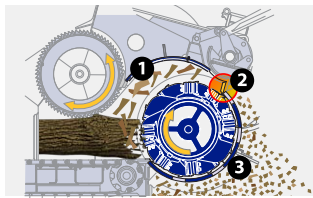


1700D Horizontal Grinder

Powerful results from our most compact grinder



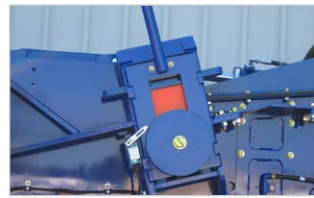
3-Stage Grinding Process Provides Faster Reduction

Peterson's powerful up-turn 3-stage grinding process provides better fracturing of material and a more consistent product, giving you just the product your buyers are looking for.



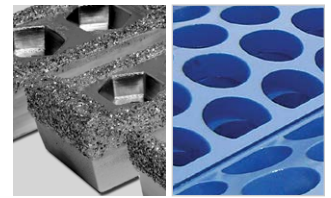
The Impact Release System Protects Your Investment

Peterson's patented Impact Release System's air bags provides uniform grinding and protection from contaminated feedstock, a feature unique to Peterson grinders.



The Second Line of Defense: The Impact Cushion System

Urethane cushions and shear pins help protect the mill from catastrophic damage in the event of a severe impact from contaminants in the feedstock.



Use Peterson Bits and Grates for The Best Quality Product

Peterson offers a wide variety of durable, long-lasting bits and grates to enable you to produce exactly the products your customers demand.

Heavy duty and mobile, the 1700D Horizontal Grinder can readily reduce a wide range of materials.

The 1700D's large feed opening, measures 54" x 27" (137 x 69 cm). When boosted by Peterson's high-lift feed roll, the feed opening's maximum lift of 41.5 inches (105 cm) can tackle the largest of feedstock, allowing excellent accessibility to the rotor for maintenance.

The 1700D Horizontal Grinder is equipped with a Caterpillar Tier IV C9.3B 455 hp (EU Stage V, 339 kW) engine, or an optional export-only

C9.3B Tier III, 415 hp (309 kW) engine. At 41,000 pounds (18,597 kg), it is the lightest of Peterson's grinder series, and is easily transportable.

Peterson's Adaptive Control System, featuring a fully adjustable feed system, is optimized for a wide range of materials. The 1700D control panel features a large display that provides the operator with complete engine and system parameters to simplify set up and efficiently operate the unit.

The 1700D also features Peterson's patented Impact Release System to protect the machine against

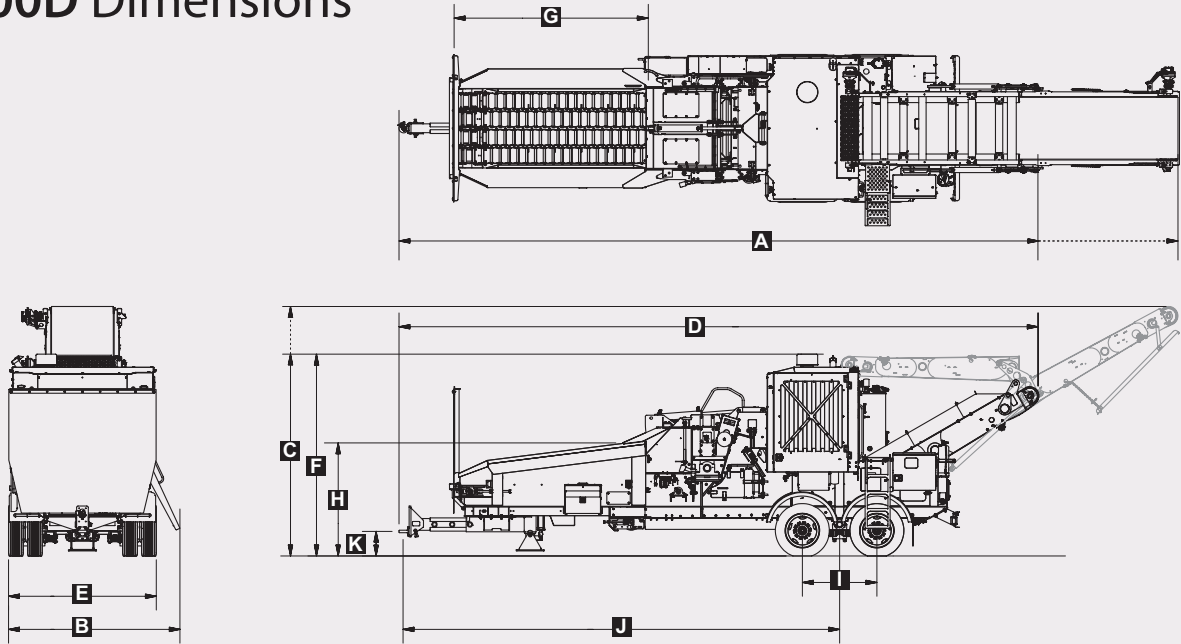
ungrindable materials, a feature unique to Peterson horizontal grinders.

The 1700D Horizontal Grinder features a quick-change multiple grate system, making it easy to customize grate configurations. Grates are removed through an easy-access door on the side wall. With Peterson's patented up-turn rotor, heavy-duty bits, and robust anvil, the 1700D has an exceptional wear life and accurate product sizing.



Peterson
an Astec Industries Co.

1700D Dimensions



1700D Specifications

Dimensions

	Folding Conveyor	Compact Conveyor
A Operating Length*	44' 1" (1344 cm)	36' 3" (1104 cm)
B Operating Width		9' 6" (296 cm)
C Operating Height	14' 7" (445 cm)	11' 10" (361 cm)
D Travel Length*		36' 3" (1104 cm) maximum
E Travel Width		8' 4" (255 cm)
F Travel Height		11' 10" (361 cm)
G Hopper Length		11' 0" (335 cm)
H Hopper Height		6' 10" (208 cm)
I Axle Spacing		4' 3" (129 cm)
J Hitch to Center Axle*		24' 8" (753 cm)
K Pintle Hitch Height	adjustable increments, 22" to 35" (56 to 89 cm)	

*Measurements are for fully extended towing tongue but can be minimized by 28 inches (71 cm) with tongue adjustments.

Estimated Weights

Machine Weight	41,000 lbs (18 597 kg)
Tandem Axle Weight	32,000 lbs (14 515 kg)

Powertrain

Engine	Caterpillar C9.3B Tier IV, 455 hp (EU Stage V, 339 kW)
<i>export only</i>	Caterpillar C9.3B Tier III, 415 hp (309 kW)
Clutch	PT Tech SCT 2500
Fuel Tank Capacity	146 US gal (553 L)
Main Hydraulic Tank Capacity	72 US gal (272 L)
DEF Tank Capacity (Tier IV Only)	17 US gal (65 L)

Suspension & Towing

Suspension Type	walking beam
Stabilizers	1 hydraulic
Tires	255/70R22.5
Hitch Type	3" pintle
Tongue	adjustable, 28" (71 cm) variance

System Controls

Peterson Adaptive Control System, Radio Remote, *Peterson+* Analytics

PETERSON an Astec Industries Company

PO Box 40490 • Eugene, OR 97404 • Tel 800.269.6520 Fax 541.689.0804 • www.petersoncorp.com

Feed System

Hopper Capacity	3.2 yd ³ (2.5 m ³)
Feed Chain	4 sections, full hopper width
Feed Conveyor Width	4' 6" (137 cm)
Feed Opening (width x height)	54" x 27" (137 x 69 cm)
Land Clearing Mode	54" x 41.5" (137 x 105 cm)
Compression Roll diameter (tip to tip)	24" (61 cm)

Rotor

Rotor Speed	10,000 fpm (3050 mpm) @ 2200 rpm (engine)
Drum Rotor Shaft Size	4.33" (110 mm) @ bearing, 4.75" (120 mm) @ center
Rotor Width	55.5" (141 cm)
Rotor Diameter	26.5" (67 cm)
Bit Size (width x height)	2.5" x 4.5" (63 x 114 mm)
Number of Bits	22 drum rotor, 18 pinned rotor

Grates

Number of Grate Sections	3
Total Grate Area	15.6 ft ² (1.5 m ²)
Grate Coverage	174°
Grate Thickness	3/4" (19 mm)

Discharge System

Discharge Conveyor Width	3' 6" (107 cm)
Compact Discharge Conveyor Height	9' 2" (279 cm)
Folding Discharge Conveyor Height	13' 6" (411 cm)
Conveyor Speed	500 or 600 fpm (152 or 183 mpm)

Production* per hour

Engine	Greenwaste	Scrap Board
C9.3B	140 yd ³ (107 m ³)	185 yd ³ (141 m ³)
	39 US tons (35 tonnes)	30 tons (27 tonnes)

*Actual output may vary due to moisture content, material density and size, support equipment, and grate size. Production rates are based on operating 50 minutes per hour.

Optional Equipment

Liquid Injection System	Flat Feed Deck
Feed Tailgate	LED Work Lights
Magnetic Head Pulley	CE Certification
Crossbelt Magnet	Dust Control
Cold Weather Kit	Yard Drive
	Export Kit

