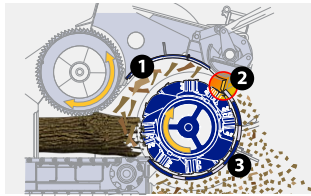


1700D Horizontal Grinder

Powerful results from our most compact grinder



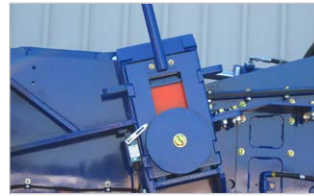
3-Stage Grinding Process Provides Faster Reduction

Peterson's powerful up-turn 3-stage grinding process provides better fracturing of material and a more consistent product, giving you just the product your buyers are looking for.



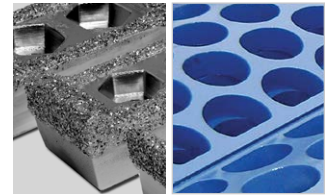
The Impact Release System Protects Your Investment

Peterson's patented Impact Release System's air bags provides uniform grinding and protection from contaminated feedstock, a feature unique to Peterson grinders.



The Second Line of Defense: The Impact Cushion System

Urethane cushions and shear pins help protect the mill from catastrophic damage in the event of a severe impact from contaminants in the feedstock.



Use Peterson Bits and Grates for The Best Quality Product

Peterson offers a wide variety of durable, long-lasting bits and grates to enable you to produce exactly the products your customers demand.

Heavy duty and mobile, the 1700D Horizontal Grinder can readily reduce a wide range of materials.

The 1700D's large feed opening, measures 54" x 27" (137 x 69 cm). When boosted by Peterson's high-lift feed roll, the feed opening's maximum lift of 41.5 inches (105 cm) can tackle the largest of feedstock, and allows excellent accessibility to the rotor for maintenance.

The 1700D Horizontal Grinder is equipped with a Caterpillar Tier IV C9.3 455 hp (433 kW) engine, or an optional, export-only C9 Tier III,

350 hp (261 kW) engine. At 41,000 pounds (18,597 kg), it is the lightest of Peterson's grinder series, and is easily transportable.

Peterson's Adaptive Control System, featuring a fully adjustable feed system, is optimized for a wide range of materials. The 1700D control panel features a large display that provides the operator with complete engine and system parameters to simplify set up and efficiently operate the unit.

The 1700D also features Peterson's patented Impact Release System, to protect the machine against

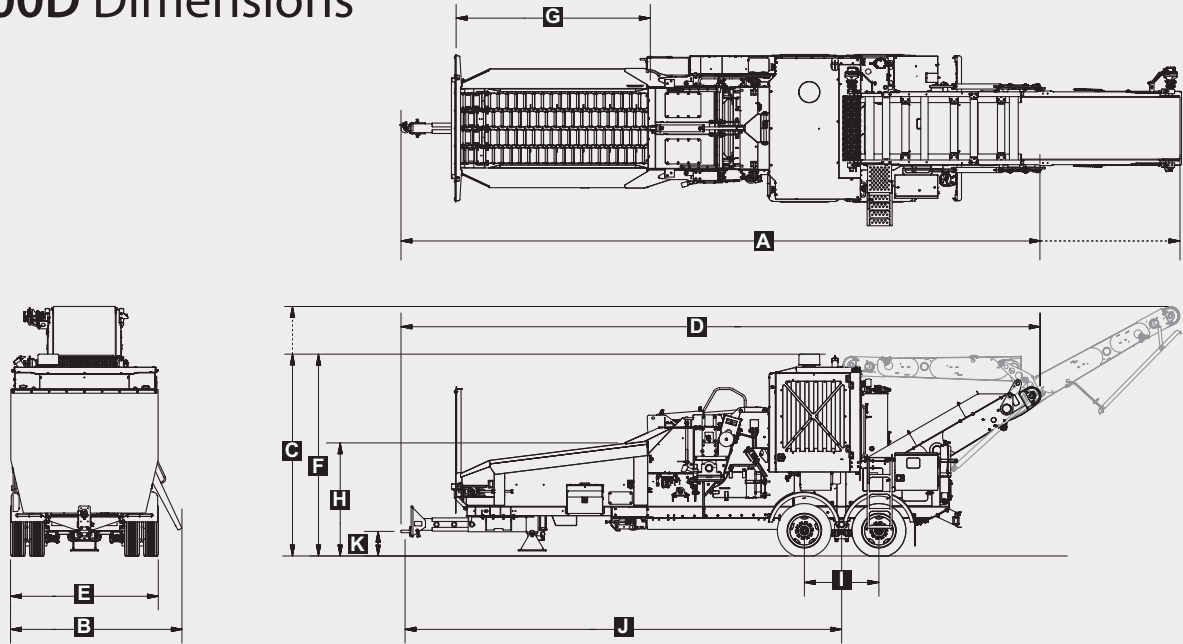
ungrindable materials, a feature unique to Peterson horizontal grinders.

The 1700D Horizontal Grinder features a quick-change multiple grate system, making it easy to customize grate configurations. Grates are removed through an easy-access door on the side wall. With Peterson's patented up-turn rotor, and heavy-duty bits, and robust anvil, the 1700D has an exceptional wear life and accurate product sizing.



Peterson
an Astec Industries Co.

1700D Dimensions



1700D Specifications

Dimensions

| | Folding Conveyor | Compact Conveyor |
|-------------------------|--|--------------------------|
| A Operating Length* | 44' 1" (1344 cm) | 36' 3" (1104 cm) |
| B Operating Width | | 9' 6" (296 cm) |
| C Operating Height | 14' 0" (427 cm) | 11' 5" (348 cm) |
| D Travel Length* | | 36' 3" (1104 cm) maximum |
| E Travel Width | | 8' 4" (255 cm) |
| F Travel Height | | 11' 5" (348 cm) |
| G Hopper Length | | 11' 0" (335 cm) |
| H Hopper Height | | 6' 5" (195 cm) |
| I Axle Spacing | | 4' 3" (129 cm) |
| J Hitch to Center Axle* | | 24' 8" (753 cm) |
| K Pintle Hitch Height | 17", 21", 25", 30" (42, 54, 65, 80, 77 cm) | |

*Measurements are for fully extended towing tongue but can be minimized by 2 feet (30 cm) with tongue adjustments.

Estimated Weights

| | |
|--------------------|------------------------|
| Machine Weight | 41,000 lbs (18 597 kg) |
| Tandem Axle Weight | 32,000 lbs (14 515 kg) |

Powertrain

| | |
|----------------------------------|--|
| Engine | Caterpillar C9.3B Tier IV, 455 hp (339 kW) Caterpillar C9 Tier III, 350 hp (261 kW) (export only) |
| Clutch | PT Tech SCT 2500 |
| Fuel Tank Capacity | 146 US gal (553 L) |
| Main Hydraulic Tank Capacity | 72 US gal (272 L) |
| DEF Tank Capacity (Tier IV Only) | 17 US gal (65 L) |

Suspension & Towing

| | |
|-----------------|---------------------------------|
| Suspension Type | walking beam |
| Stabilizers | 1 hydraulic |
| Tires | 255/70R22.5 |
| Hitch Type | 3" pintle |
| Tongue | adjustable, 2' (30 cm) variance |

System Controls

- Peterson Adaptive Control System
- Radio Remote
- Peterson+ Analytics

Feed System

- Hopper Capacity 3.2 yd³ (2.5 m³)
- Feed Chain 4 sections, full hopper width
- Feed Conveyor Width 4' 6" (137 cm)
- Feed Opening (width x height) 54" x 27" (137 x 69 cm)
- Land Clearing Mode 54" x 41.5" (137 x 105 cm)
- Compression Roll diameter (tip to tip) 24" (61 cm)

Rotor

- Rotor Speed 10,000 fpm (3050 mpm) @ 2200 rpm (engine)
- Drum Rotor Shaft Size 4.33" (110 mm) @ bearing, 4.75" (120 mm) @ center
- Rotor Width 55.5" (141 cm)
- Rotor Diameter 26.5" (67 cm)
- Bit Size (width x height) 2.5" x 4.5" (63 x 114 mm)
- Number of Bits 22 drum rotor, 20 pinned rotor

Grates

- Number of Grate Sections 3
- Total Grate Area 15.6 ft² (1.5 m²)
- Grate Coverage 174°
- Grate Thickness 3/4" (19 mm)

Discharge System

- Discharge Conveyor Width 3' 6" (107 cm)
- Compact Discharge Conveyor Height 9' 7" (292 cm)
- Conveyor Speed 500 or 600 fpm (152 or 183 mpm)

Optional Equipment

- Folding Discharge Conveyor CE Certification
- Water Injection System Dust Control
- Feed Tailgate Yard Drive
- Magnetic Head Pulley Export Kit
- Crossbelt Magnet
- Cold Weather Kit
- LED Work Lights

FSC PLACEHOLDER

PETERSON an Astec Industries Company

PO Box 40490 • Eugene, OR 97404 • Tel 800.269.6520 Fax 541.689.0804 • www.petersoncorp.com

